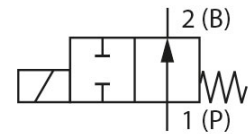
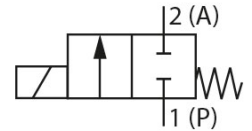


Media-separated solenoid valves are an important component in the control of fluids in systems.

With these direct or pilot operated valves only the fluid housing and the separating diaphragm come into contact with the medium. Thus, these valves can withstand many different media (see resistance chart).

In addition, the brass housing meets all the conventional potable water requirements.

Housing	Brass
Valve seat	Brass
Internal parts	Brass
Medium	Neutral medium such as compressed air, town gas, water, hydraulic oil, oils and fats without additives, oxygen (NBR + FPM)
	Oxydizing acids and substances, hot oils with additives, salt solutions, waste gases, oxygen (FPM)
Medium temperature	0 °C to 80 °C (NBR) 0 °C to 90 °C (FPM)
Viscosity	Max. 37 mm ² /s
Installation position	Any, preferably actuator face up
Electrical connection	Pin terminal acc. to DIN EN 175301-803
Voltage tolerance	±10 %
Nominal operating mode	Continuous operation 100 % duty cycle
Protection IP	IP 65 (with connector socket fitted)
Switching times AC	Opening: 8...15 ms Closing: 8...15 ms
Switching times DC	Opening: 10...20 ms Closing: 10...20 ms
Insulation class	H



P 3-535 e

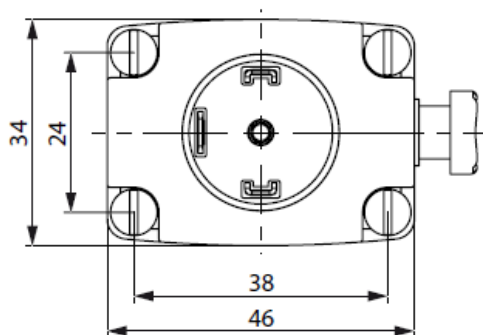
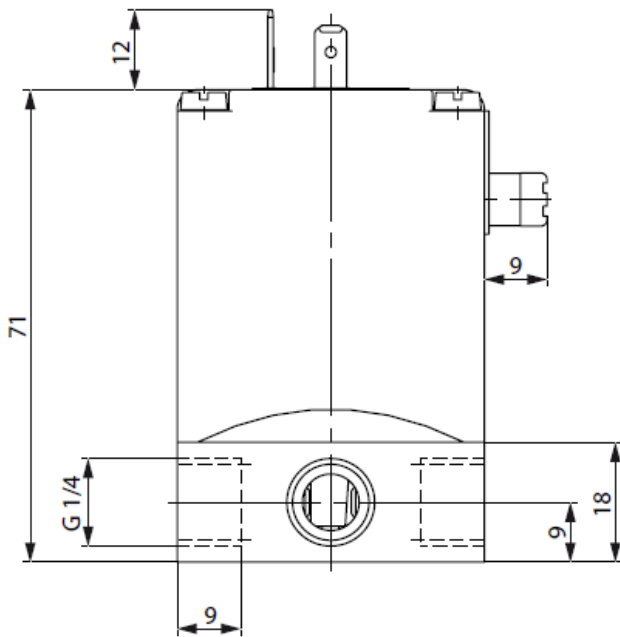
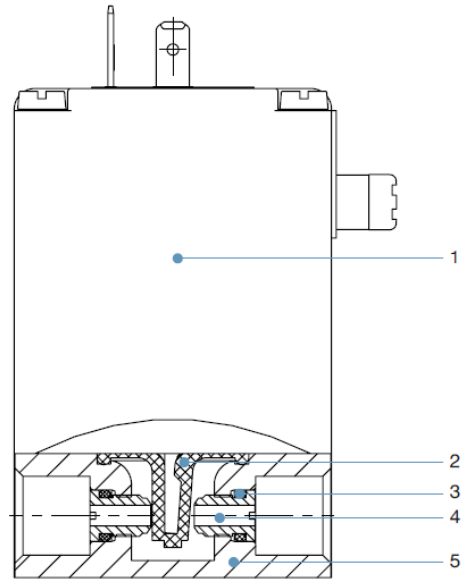
2/2-way solenoid valve

directly operated, media-separated
Art. No. 125752 to 125799



Materials

No.	Element	Material
1	Coil	Epoxy
2	Diaphragm	NBR / FPM Optional: EPDM / FFKM
3	O-ring	NBR / FPM Optional: EPDM / FFKM
4	Seat	Brass Optional: Stainless steel (1.4401) / PP (Polypropylene) / PVDF (Polyvinylidene fluoride)
5	Valve body	Brass Optional: Stainless steel (1.4401) / PP (Polypropylene) / PVDF (Polyvinylidene fluoride)



Media-separated 2/2-way solenoid valve, normally closed, directly operated, alternating current

Art. No.	Type No.	Thread	DN	Voltage	Sealant	Operating pressure bar
125752	MVA.14.MS.230.N.BD.3	G 1/4	3	230V AC	NBR	0 - 10
125563	MVA.14.MS.230.F.BD.3	G 1/4	3	230V AC	FPM	0 - 10
125753	MVA.14.MS.230.N.BD.4	G 1/4	4	230V AC	NBR	0 - 5
125751	MVA.14.MS.230.F.BD.4	G 1/4	4	230V AC	FPM	0 - 5
124895	MVA.14.MS.110.N.BD.3	G 1/4	3	110V AC	NBR	0 - 10
124893	MVA.14.MS.110.F.BD.3	G 1/4	3	110V AC	FPM	0 - 10
124898	MVA.14.MS.110.N.BD.4	G 1/4	4	110V AC	NBR	0 - 5
124894	MVA.14.MS.110.F.BD.4	G 1/4	4	110V AC	FPM	0 - 5
125756	MVA.14.MS.24A.N.BD.3	G 1/4	3	24V AC	NBR	0 - 10
125754	MVA.14.MS.24A.F.BD.3	G 1/4	3	24V AC	FPM	0 - 10
125757	MVA.14.MS.24A.N.BD.4	G 1/4	4	24V AC	NBR	0 - 5
125755	MVA.14.MS.24A.F.BD.4	G 1/4	4	24V AC	FPM	0 - 5

Media-separated 2/2-way solenoid valve, normally closed, directly operated, direct current

Art. No.	Type No.	Thread	DN	Voltage	Sealant	Operating pressure bar
125760	MVA.14.MS.24D.N.BD.3	G 1/4	3	24V DC	NBR	0 - 10
125758	MVA.14.MS.24D.F.BD.3	G 1/4	3	24V DC	FPM	0 - 10
125761	MVA.14.MS.24D.N.BD.4	G 1/4	4	24V DC	NBR	0 - 5
125759	MVA.14.MS.24D.F.BD.4	G 1/4	4	24V DC	FPM	0 - 5
125537	MVA.14.MS.12.N.BD.3	G 1/4	3	12V DC	NBR	0 - 10
124899	MVA.14.MS.12.F.BD.3	G 1/4	3	12V DC	FPM	0 - 10
125560	MVA.14.MS.12.N.BD.4	G 1/4	4	12V DC	NBR	0 - 5
124902	MVA.14.MS.12.F.BD.4	G 1/4	4	12V DC	FPM	0 - 5

Media-separated 2/2-way solenoid valve, normally open, directly operated, alternating current

Art. No.	Type No.	Thread	DN	Voltage	Sealant	Operating pressure bar
125793	MVB.14.MS.230.N.BD.3	G 1/4	3	230V AC	NBR	0 - 10
125791	MVB.14.MS.230.F.BD.3	G 1/4	3	230V AC	FPM	0 - 10
125794	MVB.14.MS.230.N.BD.4	G 1/4	4	230V AC	NBR	0 - 5
125792	MVB.14.MS.230.F.BD.4	G 1/4	4	230V AC	FPM	0 - 5
125787	MVB.14.MS.110.N.BD.3	G 1/4	3	110V AC	NBR	0 - 10
125785	MVB.14.MS.110.F.BD.3	G 1/4	3	110V AC	FPM	0 - 10
125786	MVB.14.MS.110.F.BD.4	G 1/4	4	110V AC	FPM	0 - 5
125798	MVB.14.MS.24A.N.BD.3	G 1/4	3	24V AC	NBR	0 - 10
125795	MVB.14.MS.24A.F.BD.3	G 1/4	3	24V AC	FPM	0 - 10
125797	MVB.14.MS.24A.F.BD.4	G 1/4	4	24V AC	FPM	0 - 5

Media-separated 2/2-way solenoid valve, normally open, directly operated, direct current

Art. No.	Type No.	Thread	DN	Voltage	Sealant	Operating pressure bar
125801	MVB.14.MS.24D.N.BD.3	G 1/4	3	24V DC	NBR	0 - 10
125799	MVB.14.MS.24D.F.BD.3	G 1/4	3	24V DC	FPM	0 - 10
125802	MVB.14.MS.24D.N.BD.4	G 1/4	4	24V DC	NBR	0 - 5
125800	MVB.14.MS.24D.F.BD.4	G 1/4	4	24V DC	FPM	0 - 5
125788	MVB.14.MS.12.F.BD.2	G 1/4	2	12V DC	FPM	0 - 10
125790	MVB.14.MS.12.N.BD.3	G 1/4	3	12V DC	NBR	0 - 10
125799	MVB.14.MS.24D.F.BD.3	G 1/4	4	12V DC	FPM	0 - 5

➔ Solenoid valves are supplied without a connector socket as standard. The connector socket must be ordered separately if required.

P 3-535 e

2/2-way solenoid valve

directly operated, media-separated

Art. No. 125752 to 125799



Characteristics valve body /electrical data

Function	DN	Flow coefficient (Kv) water* m ³ /h	Pickup ~ VA	Power		Ambient temperature °C	Surface temperature coil housing °C **	Coil Insulation class H °C **
				Holding ~ VA / W	hot / cold = W			
AC	3	0.18	30	15 / 8	8 / 11	0 to 55	max. 100	max. 180
	4	0.23						
DC	2	0.08	30	15 / 8	8 / 11			
	3	0.14						
	4	0.17						

* Measurement at + 20 °C, 1 bar pressure at the valve inlet and free outlet, a pressure difference of 0.5 bar is required to open the full cross-section.

** It must be ensured that the temperature of the coil can be dissipated to the ambient air.

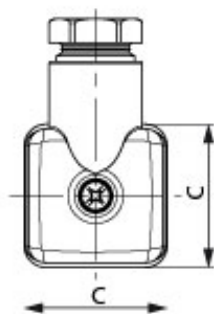
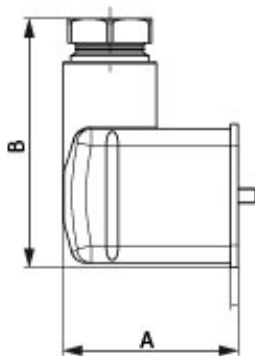
All temperature specifications are designed for 100% duty cycle.

Process connections

Circuit function	Connection 1	Connection 2	2 way
A	P	A	
B	B	P	

Connector socket

Cover	Polyamide
Contact	Brass
Sealant	NBR
Cable outlet	Can be rotated through 4x90°
Cable gland	M16x1.5
Continuous maximum temperature	-40 °C to 125 °C (connector socket) -30 °C to 90 °C (NBR sealant)
Electrical connection	Acc. to DIN EN 175301-803



Connector socket for media-separated solenoid valve

Art. No.	Type No.	Protection IP	Voltage	Version	A mm	B mm	C mm
124691	GS.MV.0-250V	IP65/IP67	0-250 V AC/DC	without circuitry	35.7	51.0	29.2
124702	GS.MV.12-24V	IP65	12-24 V AC/DC	with LED	35.7	51.0	29.2
129205	GS.MV.LED.240V	IP65	200-240 V AC/DC	with LED	35.7	51.0	29.2